

ISOTOP® DZE Multi-part element

Design

ISOTOP® DZE is a multi-part element consisting of grey cast iron (GGG) and two different insulation materials: Sylodyn® and Sylomer®. Combined they are resilient to pressure and tensile loading.

Due to the spring/damper combination the transmission of vibration can be isolated precisely and effectively and strong amplitudes will be debilitated.

The continuous steel axis with its welded-on baseplate endures strong horizontal forces as well as massive negative impulses like e.g. windloads.

Corrosion protection: powder-coating

Field of application

ISOTOP® DZE elements can be adjusted individually up to a resonance frequency of approx. 7 Hz, depending on the load and disturbance frequency.

Various applications, for example elastic isolation of:

- Compressors
- Pumps
- Cooling towers
- Fast rotating machines
- HVAC
- Roof-top devices
- Emergency power units
- Vibration isolation of all kinds

Required data for selection

- Total weight to be absorbed
- Number and location of points of support
- Centre of gravity
- Structural shape of the device
- Direction of load
- Lowest parasitic frequency (rotational speed or number of strokes)



ISOTOP® DZE

Advantages

- Different combinations of spring/damper elements depending on the load of the device allow ideal frequency tuning.
- Premounted elements ensure fast assemblage
- Demolition-proof – especially advisable for narrow and tall devices or mobile applications
- Long durability
- Low resonant frequency
- Low construction height

Our service

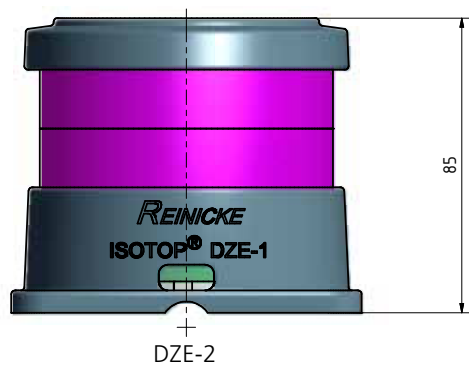
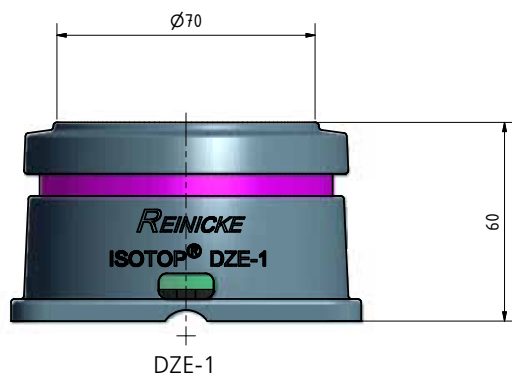
Make use of our know-how on questions about vibration technology. We will gladly consult you and will calculate tailor-made solutions for vibration isolation.

ISOTOP® DZE Multi-part element

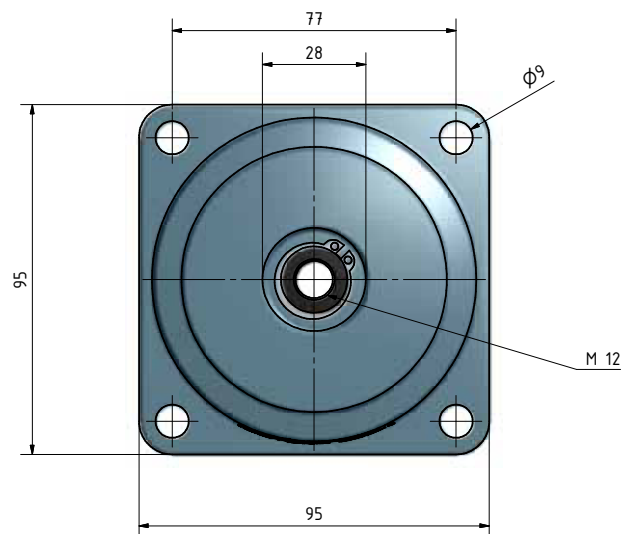
Selection table

Description	Ref. no.	Max. load/kg	Natural frequency (Hz) on max. load	Deflection/mm
ISOTOP® DZE-1-NB-HD	450 009 10	28	10,3	2,15
ISOTOP® DZE-1-NC-HD	450 009 11	55	9,9	2,58
ISOTOP® DZE-1-ND-HD	450 009 12	125	9,8	2,68
ISOTOP® DZE-1-NE-HD	450 009 13	250	9,9	2,84
ISOTOP® DZE-1-NF-HD	450 009 14	530	9,6	2,97
ISOTOP® DZE-2-NB-HD	450 009 15	25	7,2	4,43
ISOTOP® DZE-2-NC-HD	450 009 16	48	7,6	5,0
ISOTOP® DZE-2-ND-HD	450 009 17	105	7,0	5,3
ISOTOP® DZE-2-NE-HD	450 009 18	200	7,1	5,4
ISOTOP® DZE-2-NF-HD	450 009 19	450	6,6	6,1

Figure



Figure



All data indicated are based upon our current knowledge.
They may be used as calculation and standard values and are subject
to the usual machining tolerances. Subject to change and correction.