

ISOTOP® MSN

All metal steel spring vibration isolators

Design

ISOTOP® MSN steel spring vibration isolators consist of two spring elements with M8 internal thread and a cylindrical screw spring according to DIN EN 13906-1:2001, tolerances according to DIN 2095.

The spring elements and the screw spring are inseparably connected with a special 2-component compound. MSN steel spring vibration isolators can be optionally galvanized or cathaphoresis coated with RAL 9005 (deep black). Special coatings or colours are possible.

Field of application

ISOTOP® MSN elements have a resonant frequency up to 3,2 Hz, depending on the load and are mainly used for:

- Compressors
- Extractors
- Small ventilators
- Small fans
- Audio loud speakers
- Pumps
- Emergency power units

Required data for selection

- Total weight to be absorbed
- Number and location of points of support
- Centre of gravity
- Structural shape of the device
- Direction of load
- Lowest parasitic frequency (rotational speed or number of strokes)

Advantages

- Low construction height
- Low resonant frequency
- Construction height, diameter and connection thread are identical for all types which guarantees exchangeability
- Condition of spring elements is clearly visible due to the open construction
- No condensing
- Durable, compact design



ISOTOP® MSN, galvanized

Our service

Make use of our know-how on questions about vibration technology. We will gladly consult you and will calculate tailor-made solutions for vibration isolation.

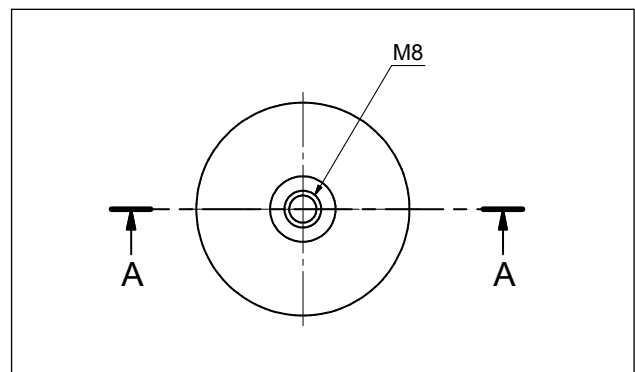
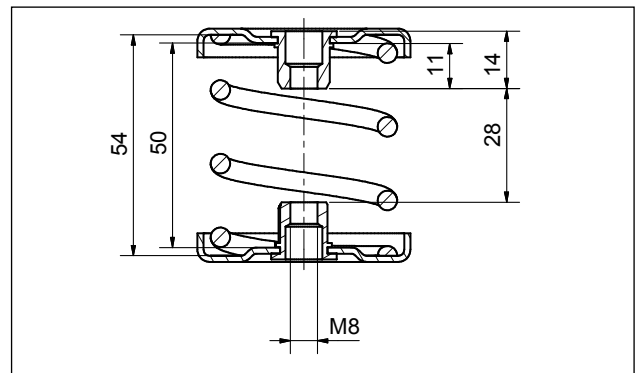
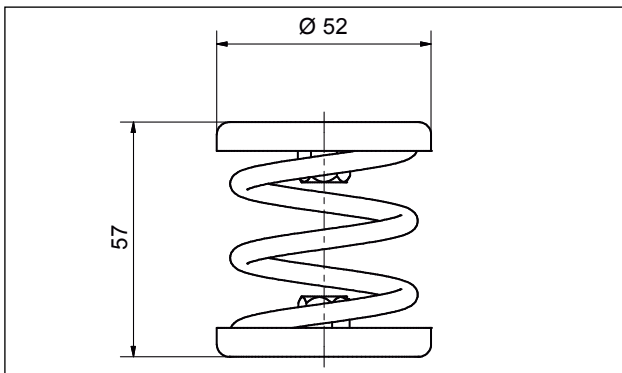
ISOTOP® MSN

All metal steel spring vibration isolators

Selection Table

Description	Ref. no.	Nominal range (min. / max.)	Spring rate
ISOTOP® MSN 1	450 001 71	18 N - 45 N	1,78 N/mm
ISOTOP® MSN 2	450 001 72	27 N - 70 N	2,73 N/mm
ISOTOP® MSN 3	450 001 73	45 N - 115 N	4,52 N/mm
ISOTOP® MSN 4	450 001 74	70 N - 175 N	7,02 N/mm
ISOTOP® MSN 5	450 001 75	115 N - 285 N	11,44 N/mm
ISOTOP® MSN 6	450 001 76	175 N - 435 N	17,30 N/mm
ISOTOP® MSN 7	450 001 77	285 N - 650 N	26,02 N/mm
ISOTOP® MSN 8	450 001 77	440 N - 880 N	43,85 N/mm
ISOTOP® MSN 1-KTL	450 001 81	18 N - 45 N	1,78 N/mm
ISOTOP® MSN 2-KTL	450 001 82	27 N - 70 N	2,73 N/mm
ISOTOP® MSN 3-KTL	450 001 83	45 N - 115 N	4,52 N/mm
ISOTOP® MSN 4-KTL	450 001 84	70 N - 175 N	7,02 N/mm
ISOTOP® MSN 5-KTL	450 001 85	115 N - 285 N	11,44 N/mm
ISOTOP® MSN 6-KTL	450 001 86	175 N - 435 N	17,30 N/mm
ISOTOP® MSN 7-KTL	450 001 87	285 N - 650 N	26,02 N/mm
ISOTOP® MSN 8-KTL	450 001 86	440 N - 880 N	43,85 N/mm

Figure



All data indicated are based upon our current knowledge. They may be used as calculation and standard values and are subject to the usual machining tolerances. Subject to change and correction.