

ISOTOP® FP and FP/K

Base plates and structure borne noise damped base plates for ISOTOP® SD

Design

ISOTOP® FP Base plates are made of steel plate and can be supplied galvanised or cathodically coated. A hexagonal screw M10 and a locking washer are supplied.

ISOTOP® FP/K structure-borne noise isolated base plates are additionally furnished with a 10 mm SYLOMER® plate.

Field of application

ISOTOP® FP base plates are an essential element for fixing the ISOTOP® DSD steel spring vibration isolators of the series SD and DSD to the base, the intermediate floors or the block foundation.

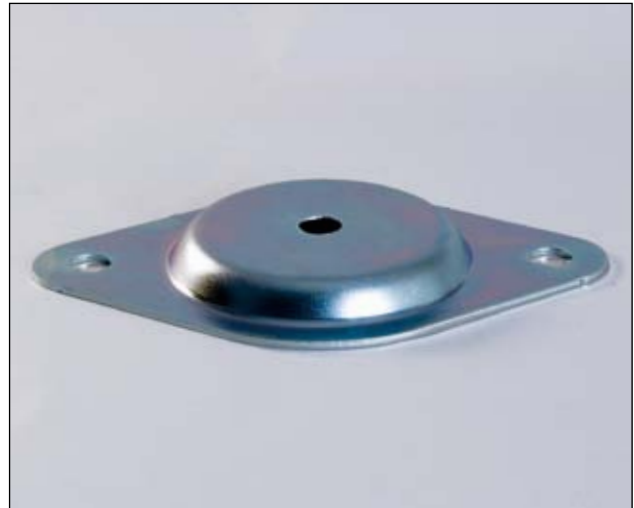
ISOTOP® FP/K structure-borne noise damped base plates have a resonant frequency of 15 - 30 Hz $\hat{=}$ 900 - 1800 min⁻¹ and are used in conjunction with ISOTOP® DSD steel spring vibration isolators of the series SD and DSD for the separation of structure-borne noise.

Advantages

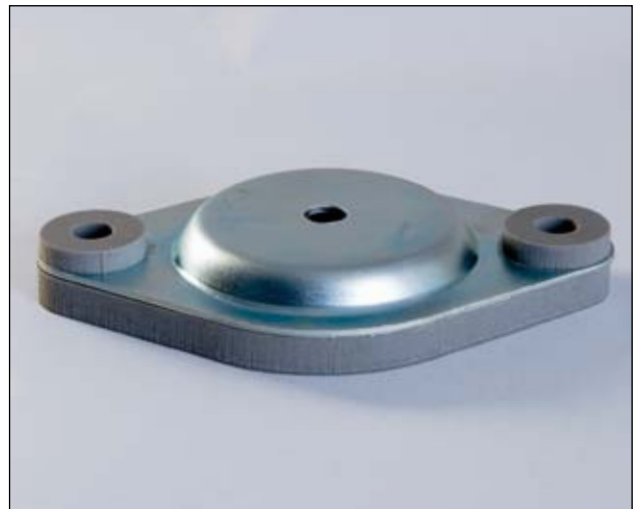
- Construction height, diameter and connection thread are identical for all types, which guarantees exchangeability.
- For ISOTOP® FP/K structure borne noise damped base plates no transfer of structure borne noise results from the base plate via the securing bolts to the foundation.

Our service

Make use of our know-how on questions about vibration technology. We will gladly consult you and will calculate tailor-made solutions for vibration isolation.



ISOTOP® FP, galvanised



ISOTOP® FP/K, galvanised

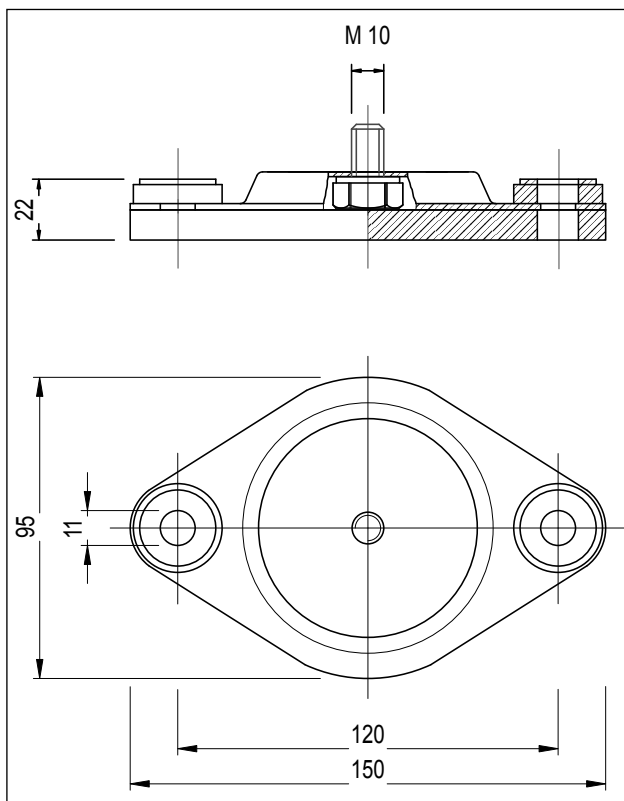
ISOTOP® FP and FP/K

Base plates and structure borne noise damped base plates for ISOTOP® SD

Selection table

Description	Ref. no.	Nominal range (min. / max.)	Steel spring range
ISOTOP® FP/K 1-4	450 001 14	120 N - 1.200 N	SD 1 - SD 4 (brown)
ISOTOP® FP/K 5-6	450 001 16	720 N - 2.700 N	SD 5 + SD 6 (grey)
ISOTOP® FP/K 7-8	450 001 18	1.815 N - 5.200 N	SD 7 + SD 8 (turquoise)

Figure



All data indicated are based upon our current knowledge. They may be used as calculation and standard values and are subject to the usual machining tolerances. Subject to change and correction.